

CrossRail System

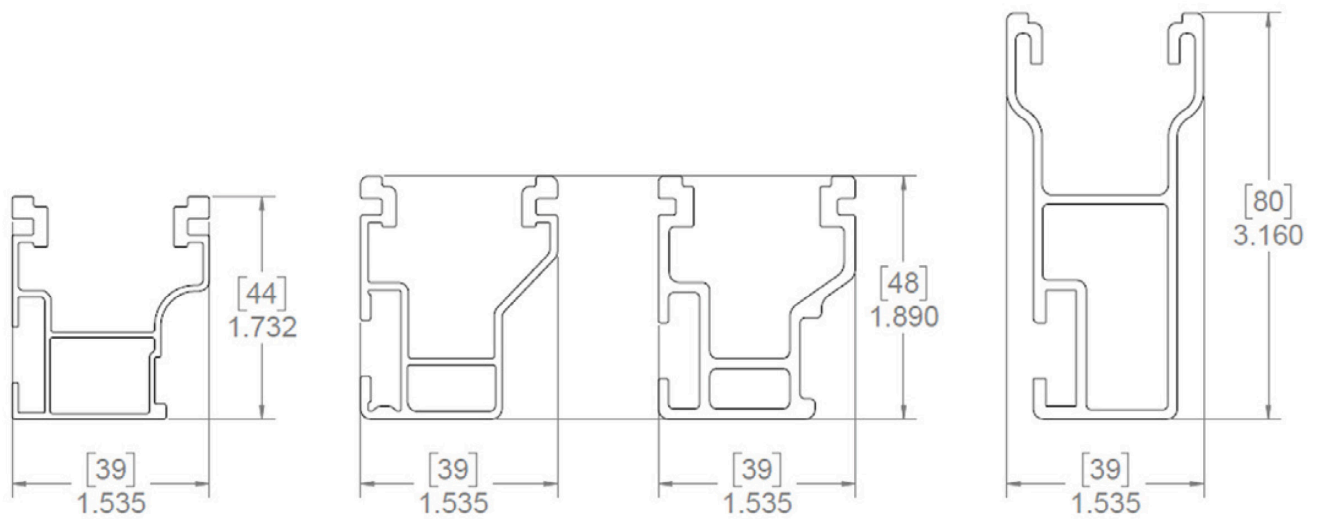
TECHNICAL SHEET

Item Number	Description	Part Number
1	CrossRail 44-X [shown] all CR profiles applicable	4000019 [166" mill], 4000020 [166" dark], 4000021 [180" mill], 4000022 [180" dark]
2	CrossRail Mid Clamp	4000601-H [mill], 4000602-H [dark]
3	CrossRail End Clamp	4000090 [silver], 4000091 [dark], 4000092 [silver], 4000093 [dark]
4	Yeti Hidden End Clamp for CR	4000050-H
5	CrossRail 44-X Rail Connector [shown] CR 48-X, 48-XL Rail Connector available	4000051 [mill], 4000052 [dark]
6	L-Foot Slotted Set	4000630 [mill], 4000631 [dark]
7	Everest Ground Lug	4000006-H
8	CrossRail 44-X End Cap [shown] CrossRail 48-X, 48-XL and 80 available	4000067

CONNECTING STRENGTH



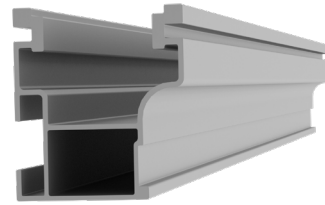
Units: [mm] in



Technical Data

CrossRail System	
Roof Type	Composition shingle, tile, standing seam
Material	High corrosion resistance stainless steel and high grade aluminum
Flexibility	Modular construction, suitable for any system size, height adjustable
PV Modules	For all common module types
Module Orientation	Portrait and landscape
Roof Connection	Drill connection into rafter
Structural Validity	IBC compliant, stamped engineering letters available for all solar states
Warranty	25 years

CROSSRAIL 44-X



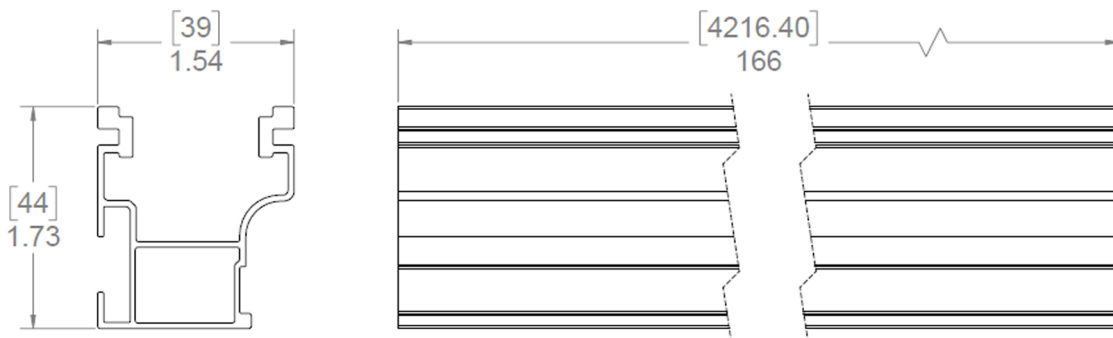
Mechanical Properties

	CrossRail 44-X
Material	6000 Series Aluminum
Ultimate Tensile Strength	37.7 ksi [260 MPa]
Yield Strength	34.8 ksi [240 MPa]
Weight	0.47 lbs/ft [0.699 kg/m]
Finish	Mill or Dark Anodized

Sectional Properties

	CrossRail 44-X
Sx	0.1490 in ³ [0.3785 cm ³]
Sy	0.1450 in ³ [0.3683 cm ³]
A [X-Section]	0.4050 in ² [1.0287 cm ²]

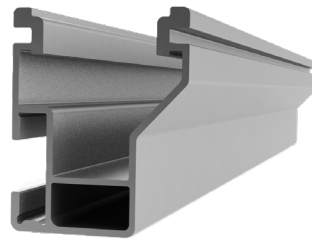
Units: [mm] in



Notes:

- ▶ Structural values and span charts determined in accordance with Aluminum Design Manual and ASCE 7-16
- ▶ UL2703 Listed System for Fire and Bonding

CROSSRAIL 48-X



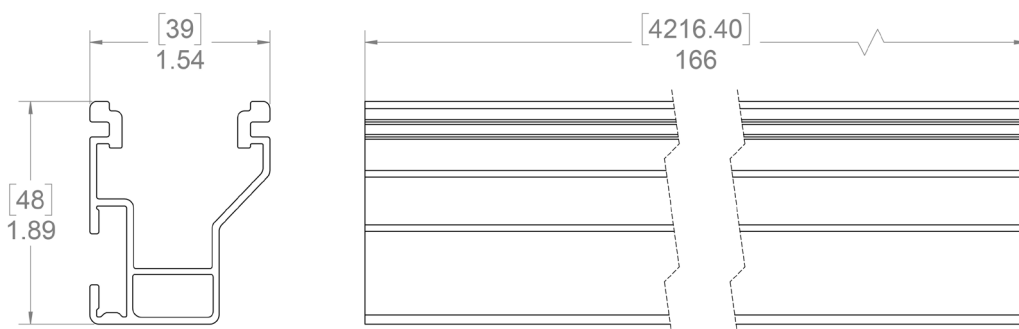
Mechanical Properties

	CrossRail 48-X
Material	6000 Series Aluminum
Ultimate Tensile Strength	37.7 ksi [260 MPa]
Yield Strength	34.8 ksi [240 MPa]
Weight	0.56 lbs/ft [0.833 kg/m]
Finish	Mill or Dark Anodized

Sectional Properties

	CrossRail 48-X
Sx	0.1980 in ³ [3.245 cm ³]
Sy	0.1510 in ³ [2.474 cm ³]
A [X-Section]	0.4650 in ² [2.999 cm ²]

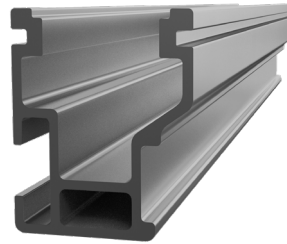
Units: [mm] in



Notes:

- ▶ Structural values and span charts determined in accordance with Aluminum Design Manual and ASCE 7-16
- ▶ UL2703 Listed System for Fire and Bonding

CROSSRAIL 48-XL



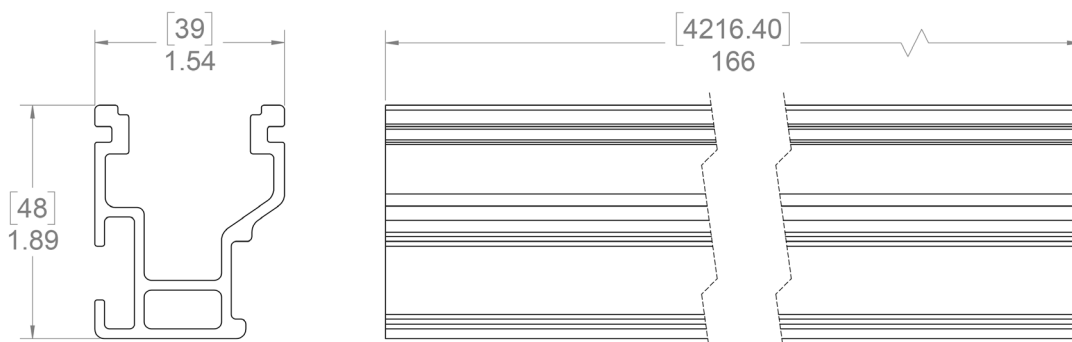
Mechanical Properties

	CrossRail 48-XL
Material	6000 Series Aluminum
Ultimate Tensile Strength	37.7 ksi [260 MPa]
Yield Strength	34.8 ksi [240 MPa]
Weight	0.76 lbs/ft [1.13 kg/m]
Finish	Mill or Dark Anodized

Sectional Properties

	CrossRail 48-XL
S _x	0.2420 in ³ [3.966 cm ³]
S _y	0.2140 in ³ [3.507 cm ³]
A [X-Section]	0.6520 in ² [4.206 cm ²]

Units: [mm] in



Notes:

- ▶ Structural values and span charts determined in accordance with Aluminum Design Manual and ASCE 7-16
- ▶ UL2703 Listed System for Fire and Bonding

CROSSRAIL 80



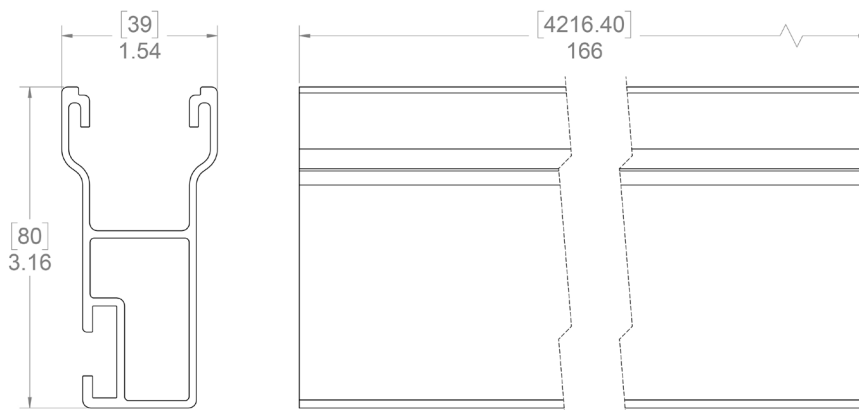
Mechanical Properties

	CrossRail 80
Material	6000 Series Aluminum
Ultimate Tensile Strength	37.7 ksi [260 MPa]
Yield Strength	34.8 ksi [240 MPa]
Weight	0.76 lbs/ft [1.13 kg/m]
Finish	Mill or Dark Anodized

Sectional Properties

	CrossRail 80
Sx	0.5290 in ³ [8.699 cm ³]
Sy	0.2514 in ³ [4.120 cm ³]
A [X-Section]	0.7770 in ² [5.013 cm ²]

Units: [mm] in



Notes:

- ▶ Structural values and span charts determined in accordance with Aluminum Design Manual and ASCE 7-16
- ▶ UL2703 Listed System for Fire and Bonding