

CrossRail Ground Mount System

TECHNICAL SHEET

Item Number	Description	Part Number
1	CrossRail 80	4000508
2	Mid Clamp, 13mm Hex	4000601-H/4000602-H
3	End Clamp	4000090/4000091/4000092/4000093
4	GM Residential Top Cap 3"	4000173
5	GM L-Bracket, 1.5,2,3", Mill	4000172

CROSSRAIL 80



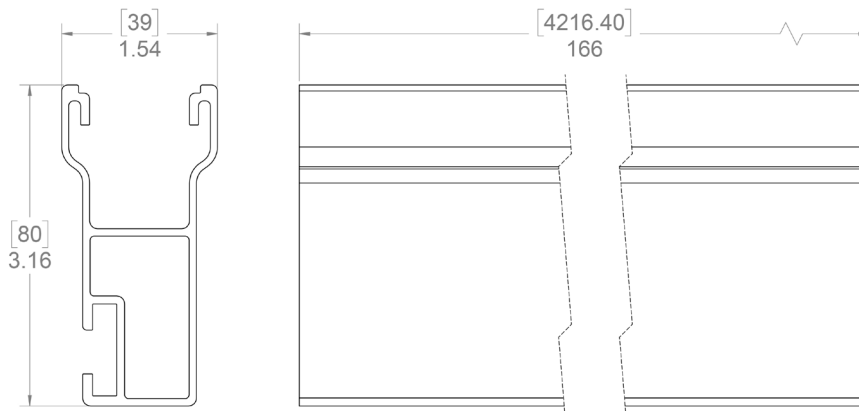
Mechanical Properties

	CrossRail 80
Material	6000 Series Aluminum
Ultimate Tensile Strength	37.7 ksi [260 MPa]
Yield Strength	34.8 ksi [240 MPa]
Weight	0.76 lbs/ft [1.13 kg/m]
Finish	Mill or Dark Anodized

Sectional Properties

	CrossRail 80
Sx	0.5290 in ³ [8.699 cm ³]
Sy	0.2514 in ³ [4.120 cm ³]
A [Sección X]	0.7770 in ² [5.013 cm ²]

Units: [mm] in



Notes:

- ▶ Structural values and span charts determined in accordance with Aluminum Design Manual and ASCE 7-16.
- ▶ UL2703 Listed System for Fire and Bonding.