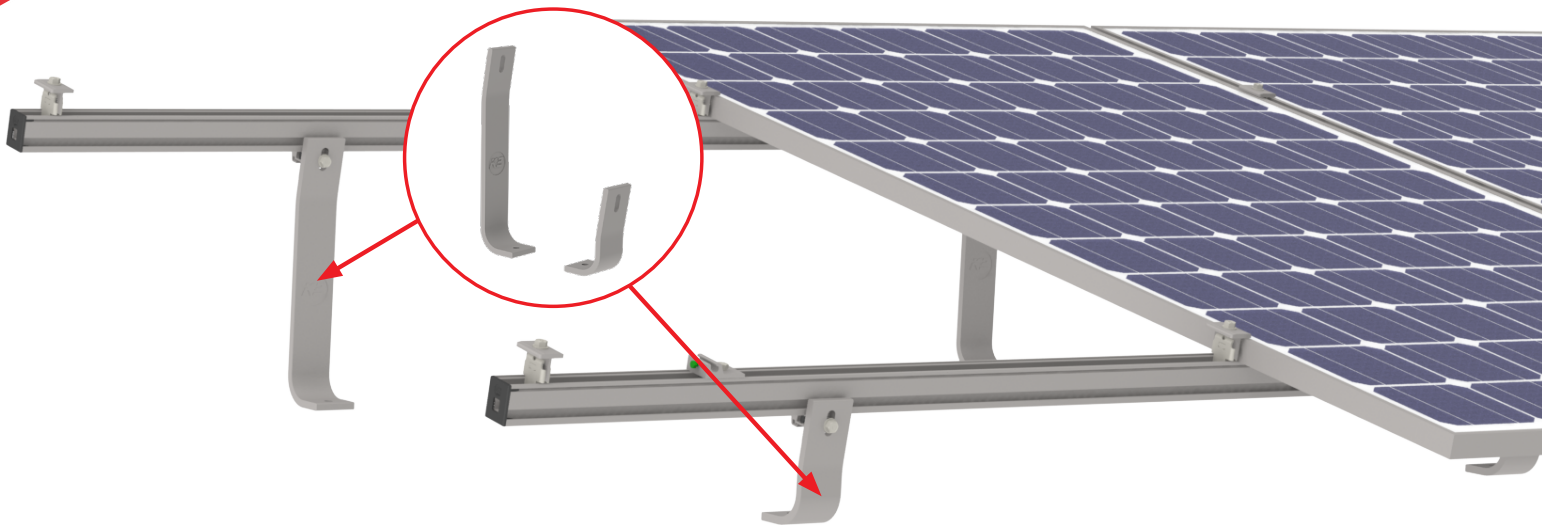


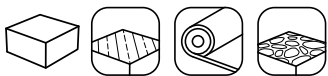
K2 Tilt 10° System



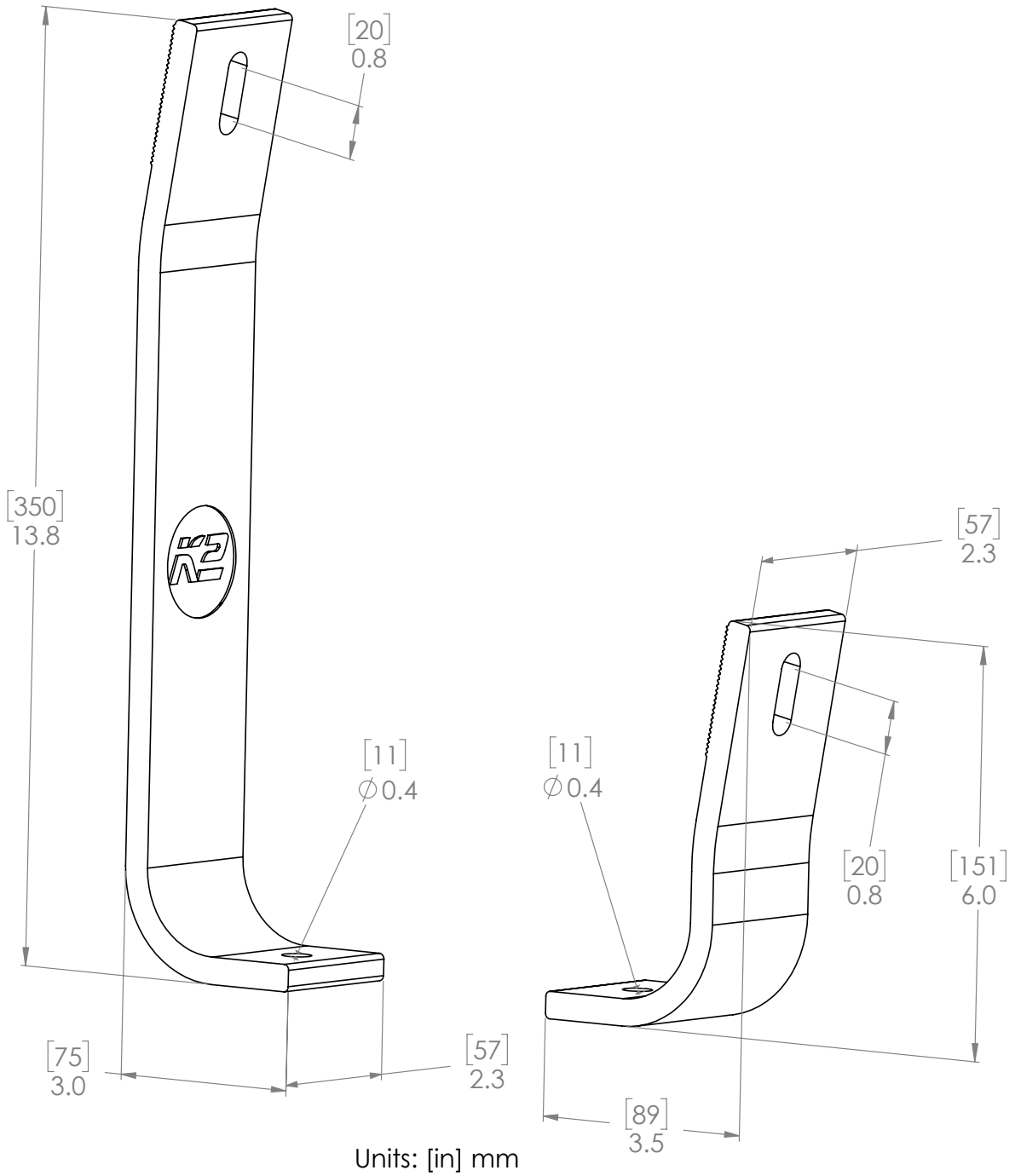
DATA SHEET

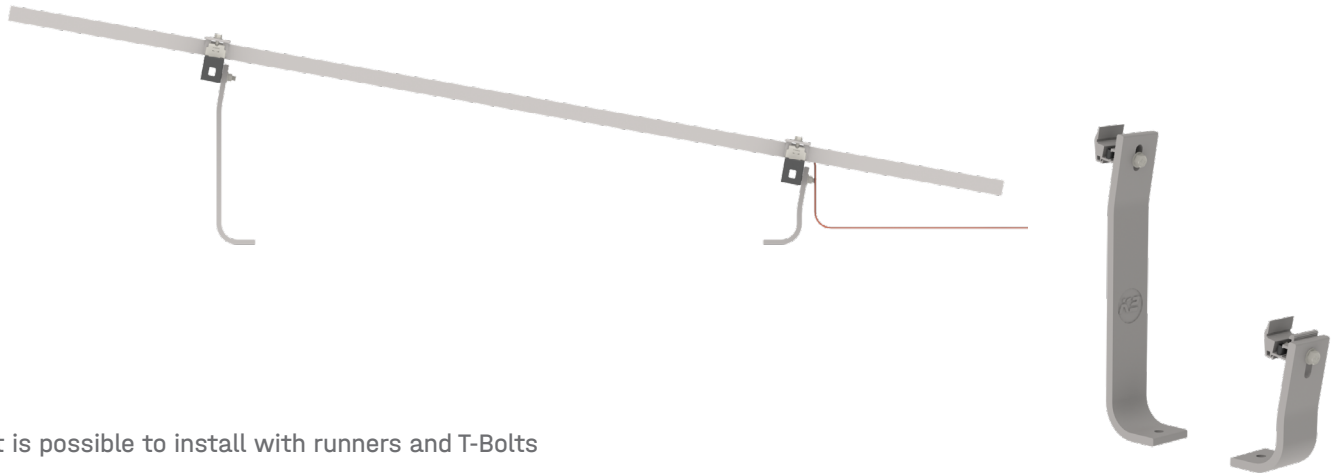


PRODUCT FEATURES



- / Tilt system compatible with all low slope roof coverings
- / Same universal components as CrossRail System results in quick installation
- / Various rail profiles to meet any design load
- / CrossRails provide ultimate design flexibility

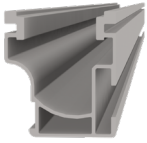




It is possible to install with runners and T-Bolts

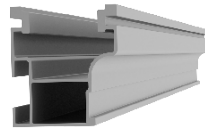
K2 Tilt 10° System	
Roof type	Concrete
Material	6000 series aluminum
Module Orientation	Portrait
Roof Connection	Concrete anchors up to 3/8" in diameter
Structural Validity	ASCE 7-22
Warranty	25years

Components



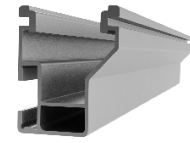
CrossRail 44-X Max

Part Number	Description
4000819	CrossRail 44-X Max, 172", Mill
4000819-US	CrossRail 44-X Max, 172", Mill, DC
4000820	CrossRail 44-X Max, 172", Dark
4000820-US	CrossRail 44-X Max, 172", Dark, DC



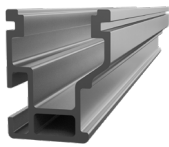
CrossRail 44-X

Part Number	Description
4000719	CrossRail 44-X, 172", Mill
4000720	CrossRail 44-X, 172", Dark
4000721	CrossRail 44-X, 185", Mill
4000722	CrossRail 44-X, 185", Dark



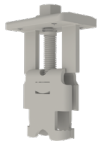
CrossRail 48-X

Part Number	Description
4000723	CrossRail 48-X, 172", Mill
4000663	CrossRail 48-X, 166", Dark



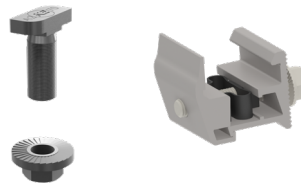
CrossRail 48-XL

Part Number	Description
4000695	CrossRail 48-XL, 166", Mill
4000727	CrossRail 48-XL, 172", Mill
4000728	CrossRail 48-XL, 172", Dark
4000729	CrossRail 48-XL, 185", Mill
4000730	CrossRail 48-XL, 185", Dark



K2 Tilt 10°

Part Number	Description
4000488	K2 Tilt 10°, Kit



K2 Armor 3in

Part Number	Description
4000563	K2 Armor 3in, Kit



Wire Management

Part Number	Description
4000048	13x25mm T-Bolt, Kit
4000770	K2 Rail Runner, Kit, Mill

Wire Management

Part Number	Description
4000400	K2 4 Wire Dragon Clip, Set
4000069	Wire Management Clip, TC
4000382	HEYClip SunRunner Cable Slip SS, S6404
4005394	Wire Management Clip, Omega, Black

K2 Cross Clamp

Part Number	Description
4000135	K2 Cross Clamp Set, Mill
4000135-US	K2 Cross Clamp Set, Mill, DC
4000145	K2 Cross Clamp Set, Dark
4000145-US	K2 Cross Clamp Set, Dark, DC



End Clamps

Part Number	Description
4000197	K2 End Clamp Set, Mill
4000050-B	Yeti Hidden 2.0, 13mm Hex Set



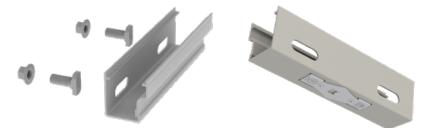
End Caps

Part Number	Description
4000176	EndCap 44-X, K2
4000431	CrossRail Flat EndCap, CR 48-X, 48-XL



CrossRail Rail Connector

Part Number	Description
4000051-US	Rail Connector CR 44-X, Set, Mill, DC
4000051-T	Tool-less Rail Connector 44-X, Set, Mill
4000052-US	Rail Connector CR 44-X, Set, Dark, DC
4000052-T	Tool-less Rail Connector 44-X, Set, Dark
4000385	RailConn CR48-X,48-XL Struct Set, Mill
4000386	RailConn CR48-X,48-XL Struct Set, Dark

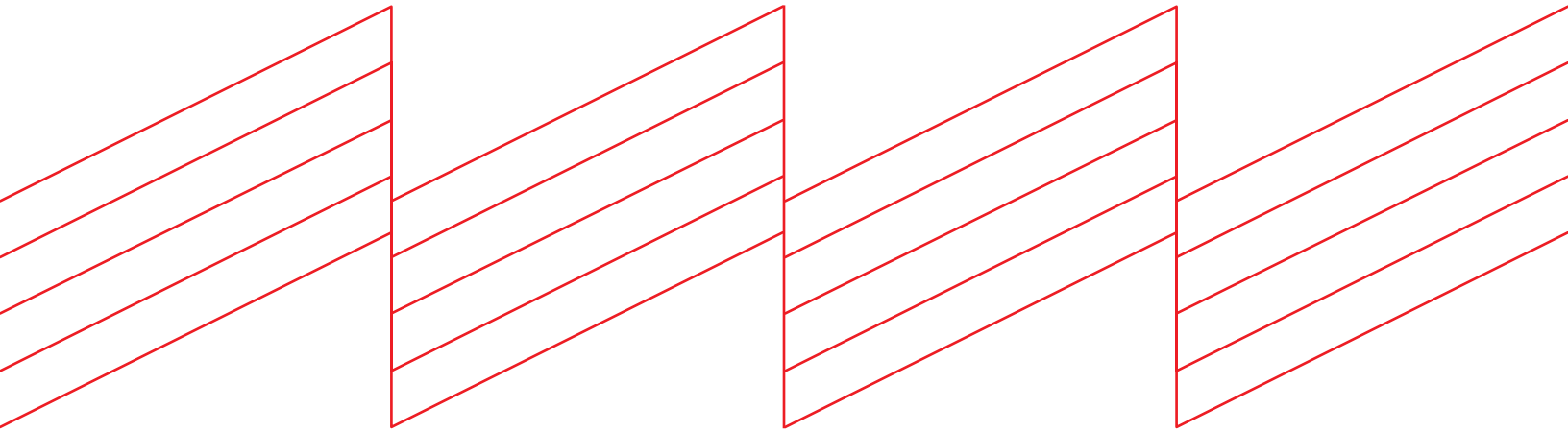


Bonding & Grounding

Part Number	Description
4000629-H	CR Microinverter & Opt, 13mm Hex Kit
4000006-H	K2 Ground Lug, 13mm Hex
4000083	MLPE, Module Frame Mount, Kit



Connecting Strength



K2 Systems, LLC

4665 North Ave. Suite I • Oceanside, CA 92056 •
USA +1.760.301.5300 • infous@k2-systems.com
www.k2-systems.com/en-us

K2 Tilt 10° Data Sheet ENV1 | 0226 • Subject to change

Product illustrations are exemplary and may differ from the original.

K2 Systems México

K2 Systems México · Prol. Av. el Colli Bodega 17 Col.
Paraísos del Colli, C.P. 45069 Zapopan, Jal. • México
+52.33.3575.9380 • info@k2-systems.mx
www.k2-systems.com/es-mx

K2 Tilt 10° Data Sheet ENV1 | 0226 • Sujeta a cambios

Las ilustraciones del producto son ejemplares y pueden diferir del original.